

## BP8701

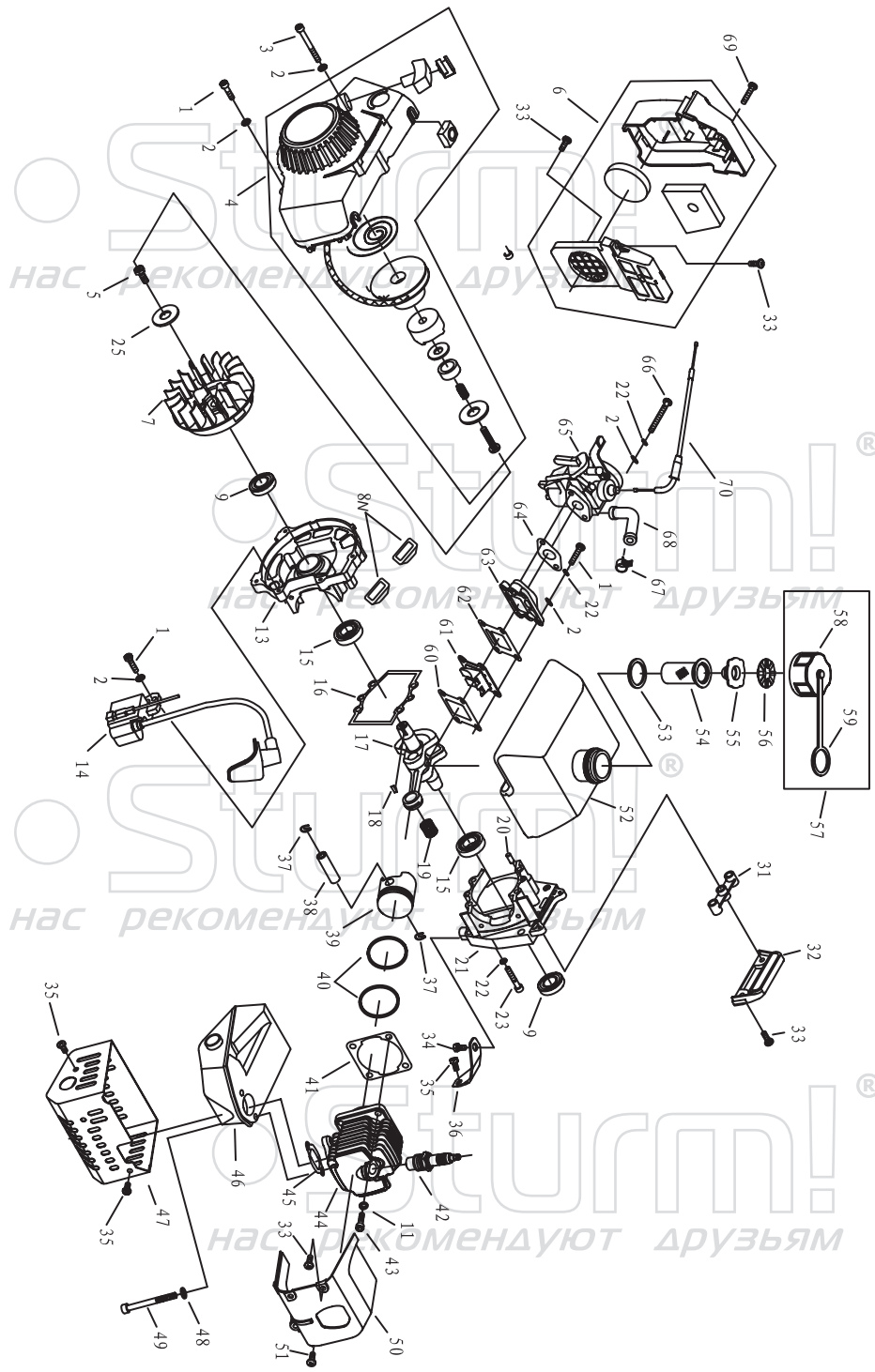
NO.	DESCRIPTION
1	HOSE JOINT
2	HOSE COUPLING
3	SEALING RING
4	CHECK VALVE
5	CHECK VALVE GASKET
6	BOLT
7	BOLT
8	O-SEALING RING
9	PLUG
10	PUMP BODY
11	SEALING RING
12	OUTLET
13	BOLT
14	O-SEALING RING
15	VOLUTE SHELL
16	IMPELLER
18	MECHANICAL SEAL
19	SCREW
20	SEAL PACKING
21	PUMP BASE
22	HANDLE
23	THROTTLE LEVER
24	WASHER
25	WASHER SPRING
26	NUT M5
27	NUT M8
28	SUPPORT
29N	PAD
30	BOLT
31	BRACKET
32	ANTI VIBRATION RUBBER
33	O-SEALING RING
34	FAUCET
35	CIRCLIP
36	ENGINE
37	WASHER
38	BOLT
39N	TRANSITION PLATE

RU-ST20151215

# Sturm!

наш рекомендуют друзья

## ENGINE FOR BP8701



NO.	DESCRIPTION	NO.	DESCRIPTION
1	SCREW	40	PISTON RING
2	WASHER	41	GASKET
3	SCREW	42	APARK PLUG
4	STARTER	43	SCREW
5	BOLT	44	CYLINDER
6	AIR FILTER ASSEMBLY	45	MUFFLE GASKET
7	MAGNETO ROTOR	46	MUFFLE
8N	RUBBER WASHER	47	MUFFLE GUARD
9	OIL SEAL	48	WASHER
11	WASHER	49	SCREW
13	CRANK CASE	50	CYLINDER GUARD
14	MAGNETO STATOR	51	SCREW
15	BEARING 6202	52	FUEL TANK
16	SEAL GASKET	53	OIL NET GASKET
17	CONNECTING BAR	54	OIL NET
18	WOODRUFF KEY	55	RUBBER COVER
19	NEEDLE BEARING	56	PLASTIC COVER
20	PIN	57	FUEL TANK COVER ASSEMBLY
21	FRONT CRANK CASE	58	FUEL TANK COVER
22	WASHER	59	CONNECTION RING
23	BOLT	60	INTAKE VALVE GASKET
25	WASHER	61	INTAKE VALVE ASSEMBLY
31	RUBBER WASHER	62	INTAKE VALVE GASKET
32	SUPPORT BOARD	63	INTAKE TUBE
33	BOLT	64	CARBURETOR GASKET
34	BOLT	65	CARBURETOR
35	BOLT	66	SCREW
36	MUFFLE STAND	67	CLIP
37	CIRCLIP OF PISTON PIN	68	FUEL TUBE
38	PISTON PIN	69	BOLT
39	PISTON PIN	70	STARTING ROPE

RU-ST20151215

# Sturm!

наш рекомендуют друзья