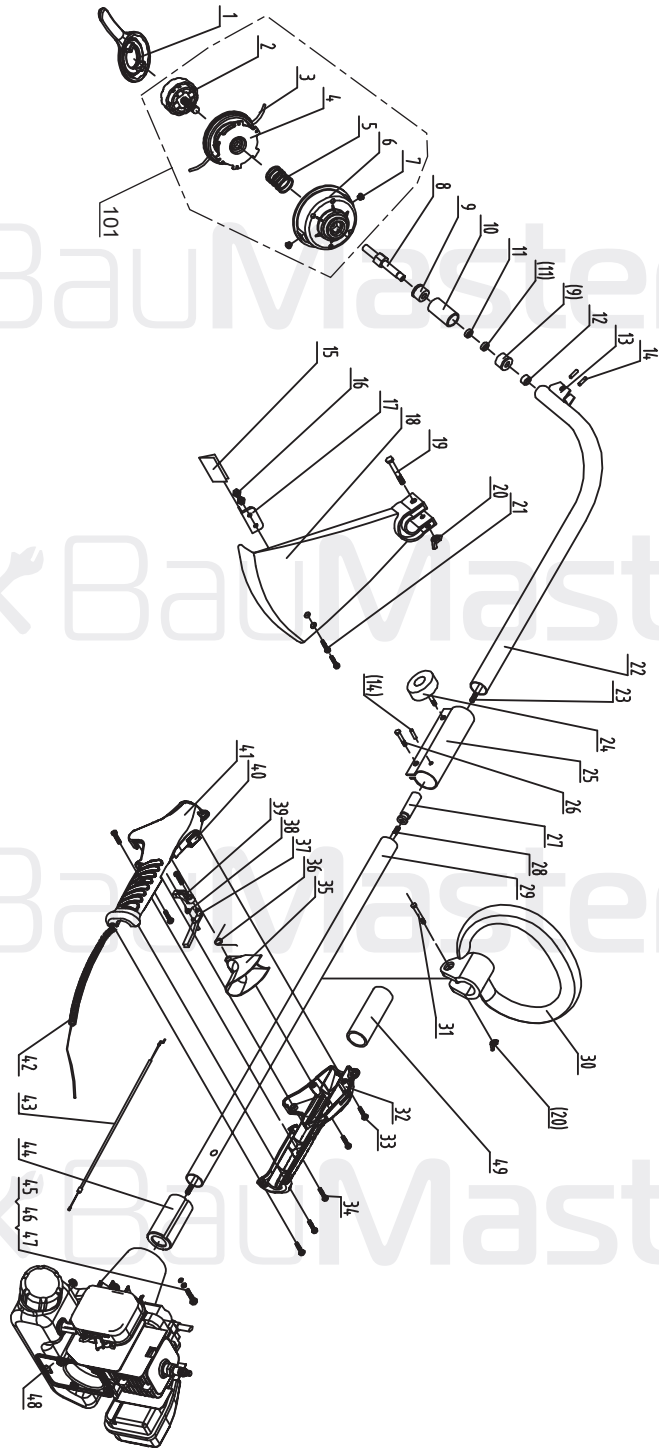


Fig. 1

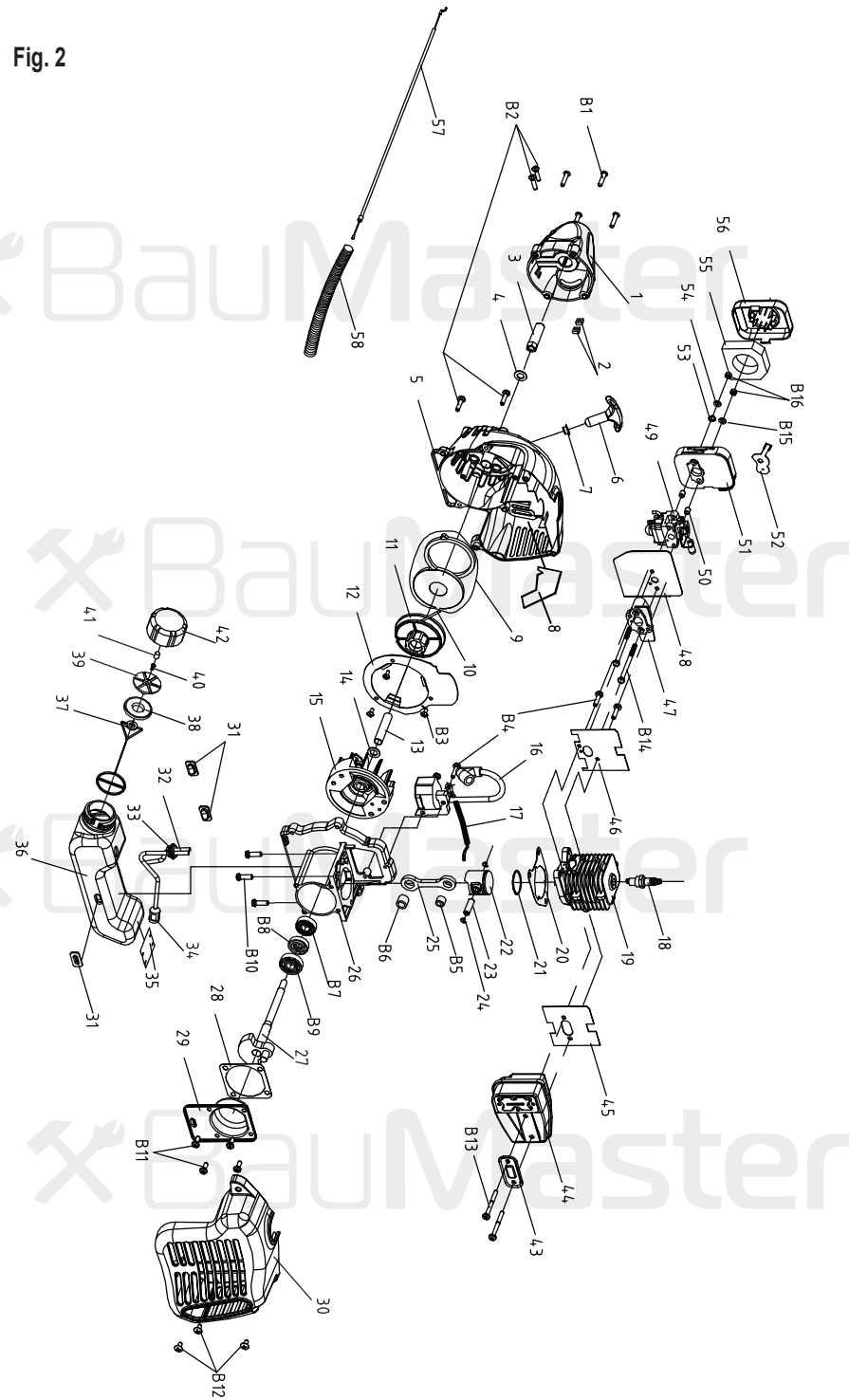


BT-8925LX

NO.	DESCRIPTION	NO.	DESCRIPTION
1	SPANNER	26	BOLT
2	ROPE WHEEL COVER	27	HOOKUP SET OF THE SHAFT B
3	NYLONE ROPE	28	FLEXIBLE SHAFT B
4	ROPE SEAT	29	ALUMINUM TUBE B
5	PULL-OUT SPRING	30	FRONT HANDLE
6	BOX OF ROPE	31	BOLT
7	LINING	32	SWITCH HANDLE A
8	SHAFT	33	SCREW
9	COPPER BUSH	34	SCREW
10	STEEL PIPE	35	THROTTLE LEVER
11	FELT	36	TORSION-BAR SPRING A
12	STEEL COVERING	37	UNLOCK TRIGGER STROKE
13	BRACKET	38	TORSION-BAR SPRING B
14	RIVIT	39	DIALING FORK
15	GUARD PAPER	40	STOP SWITCH
16	NUT	41	SWITCH HANDLE B
17	KNIFE	42	PLASTIC TUBE
18	GUARD SHIELD	43	THROTTLE LINE
19	BOLT	44	ANTI-SHOCK TUBE
20	NUT	45	SCREW
21	BOLT MODULE	46	SPRING WASHER
22	ALUMINUM TUBE	47	GASKET
23	FLEXIBLE SHAFT A	48	ENGINE
24	KNOB	49	LOCATING TUBE
25	CONNECTOR	101	NYLON LINE SPOOL(2+3..+7)

BM20110330-01

Fig.2



ENGINE FOR BT-8925LX

NO.	DESCRIPTION	NO.	DESCRIPTION
1	CLUTCH COVER	38	OIL BOX SHEET GASKET
2	NUT M5	39	OIL DRAIN VALVE SEAT
3	CONNECT	40	OIL DRAIN VALVE
4	WASHER 8	41	OIL DRAIN FILTER
5	ENGINE FRONT COVER	42	OIL BOX COVER
6	START HANDLE	43	VENT-PIPE FOLLOWER
7	NESTING	44	VENT-PIPE
8	PROTECTIVE FILM	45	VENT-PIPE GASKET
9	START-UP SPRING	46	INTAKE GASKET
10	START ROPE	47	CARBURETOR BASE
11	START WHEEL	48	CARBURETOR GASKET
12	START WHEEL PLATE	49	CARBURETOR
13	TUBE	50	AIR FILTER BUSH
14	WASHER 10	51	AIR FILTER
15	FLYWHEEL ASSEMBLY	52	CHOKE LEVER
16	IGNITION WINDING	53	SPRING OF CHOKE
17	WIRE	54	WASHER 5×13.5
18	SPARK PLUG	55	SPONGE
19	CYLINDER	56	COVER OF AIRCLEANER
20	CYLINDER GASKET	57	TRIGGER CABLE B
21	PISTON RING	58	RIPPLE PIPE
22	PISTON	B1	SCREW ST4.8×25
23	PISTON PIN	B2	SCREW M5×20
24	RETAINER OF PISTON PIN	B3	SCREW ST4×12
25	CONNECTOR ROD	B4	SCREW M5×23L
26	CRANK CASE	B5	NEEDLE BEARING 8×12×10
27	CRANK SHAFT ASSEMBLY	B6	NEEDLE BEARING 9.5×14.3×12.7
28	WASHER	B7	GROOVE BALL BEARING 6001
29	COVER OF CRANKCASE	B8	OIL SEAL
30	REAR COVER	B9	GROOVE BALL BEARING 6201
31	OIL BOX MAT	B10	SCREW M6×20
32	FUEL VITTA	B11	SCREW M5×15
33	VITTA SEAT	B12	SCREW ST4.8×16
34	CLEANNER	B13	SCREW M5×53
35	PROTECTIVE FILM	B14	SCREW M5×68
36	FUEL TANK	B15	WASHER 5
37	OIL-BOX-COVER FLYING RINGS	B16	NUT M5

BM20110330-01